

# **INSTRUCTION MANUAL**

## **for Installing**

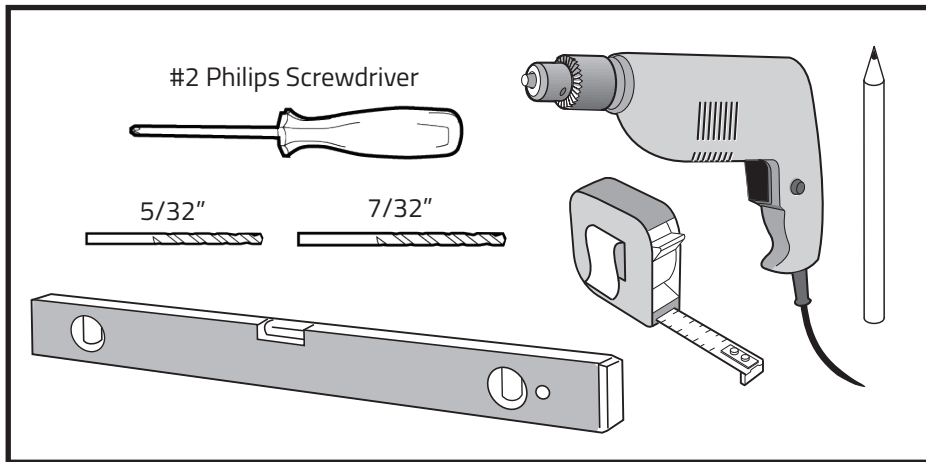
### **CEILING MOUNTED BRACKETS**

QG.201.CM-LL and QG.301.CM-LL Series for QG Rolling Ladder Hardware  
QG.201.CM-RD and QG.203.CM-RD Series for QG round rail Barn Door Hardware



# Instruction Manual for Ceiling Mount Brackets

## Installation Tools Needed:



## Ceiling Mount Kit Includes:



### Securing the Ceiling Mount Bracket to solid wood ceiling framework

1. Minimum solid wood thickness = 1½"
2. Pilot hole required for the 5/16" lag screws: softwood = 5/32", hardwood = 7/32"
  - A. Scribe a straight line on the ceiling framework where the brackets will be installed.
  - B. Pre-drill holes for the 5/16" lag screws (fastener hole spacing on the bracket is 1" cc).
  - C. Install the brackets to the ceiling wood framework using the supplied lag screws and washers (use a ½" socket).
    - Do not tighten down the lag screws till the Rail Brackets and rails are installed to allow proper alignment of the Rail System.
    - Follow the recommended rail bracket spacing detailed in the QG Rolling Ladder or the QG Barn Door Instruction Manuals.

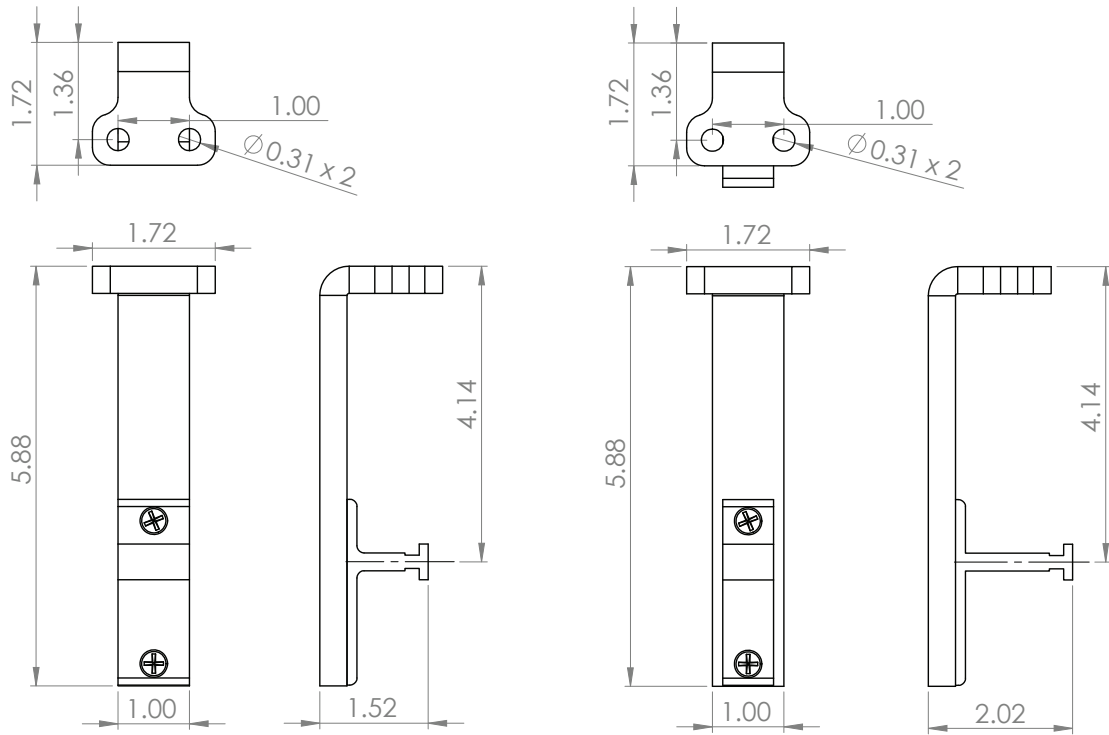
### Assembling the Rail System onto the Ceiling Mount Brackets

1. Slide the Rail Brackets onto the rail
2. Lift the rail in place and attach the Rail Brackets to the Ceiling Mount Brackets using the supplied small 10-32 x 3/8" flat-head screws.
  - Do not tighten down these screws till all the Rail Brackets are installed to allow proper alignment of the Rail System.

### Final securing of the Rail System and Ceiling Mount Brackets

1. Tighten down the 10-32 x 3/8" flat-head screws to firmly secure the Rail Brackets to the Ceiling Mount Brackets, then
2. Firmly secure the Ceiling Mount Brackets to the solid wood ceiling framework.

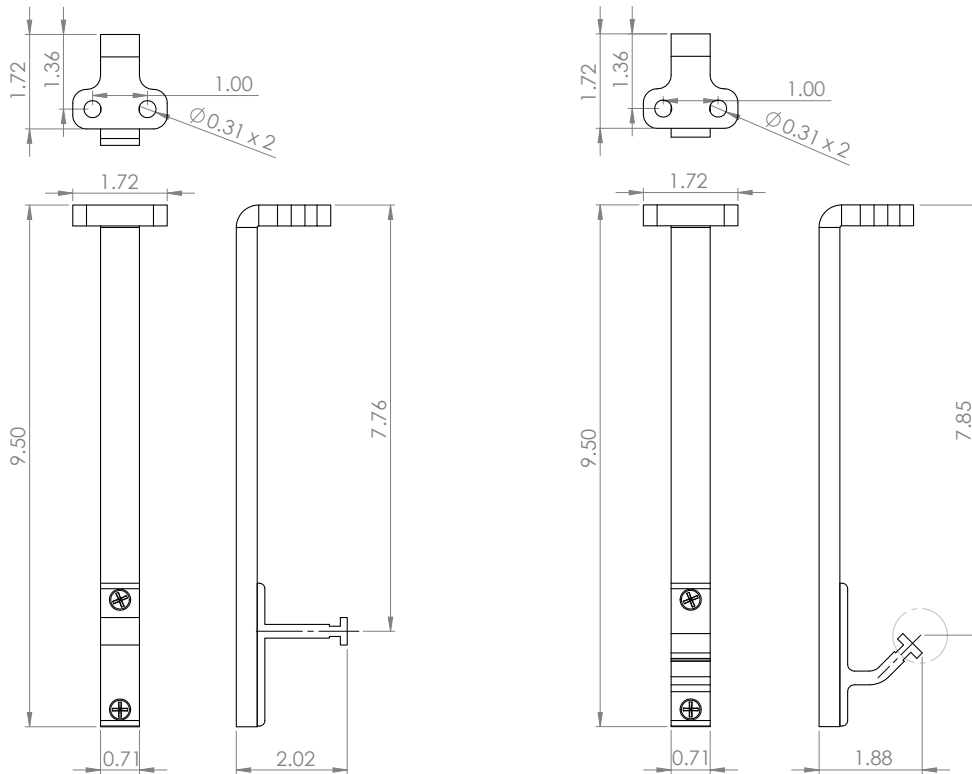
## For Rolling Barn Door Applications



QG.203.CM-RD

QG.201.CM-RD

## For Rolling Ladder Applications



QG.201.CM-LL

QG.301.CM-LL

